

Miniature Fuses

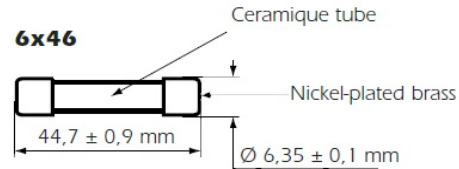
Very HRC Fuses 6x46
FA Very Fast Acting
1000V from 0.1 to 1.25A



Complying with UL recognized E76491
FERRAZ speciality
6.3x46



Product weight:
2.5g max.



Catalog Number	Reference Number	Rated Voltage (V)	Nominal Current (A)	Breaking capacity @ Nominal current (A)	Pre-arcing I ² t @ Rated voltage (A ² s)	Clearing I ² t @ Rated Voltage (A ² s)	Max. voltage drop (V)
MI6FAP100V0.1	W209733	1000	0.1	Cos $\mu \geq 0.2^*$	0.0002	0.001	6.5
MI6FAP100V0.125	X209734	1000	0.125	Cos $\mu \geq 0.2^*$	0.0006	0.003	4.4
MI6FAP100V0.16	Y209735	1000	0.16	Cos $\mu \geq 0.2^*$	0.0014	0.006	3.6
MI6FA100V0.1	G076458	1000	1000	Cos $\mu \geq 0.2^*$	0.0002	0.001	6.5
MI6FA100V0.125	H076459	1000	0.125	Cos $\mu \geq 0.2^*$	0.0006	0.003	4.4
MI6FA100V0.16	J076460	1000	0.16	Cos $\mu \geq 0.2^*$	0.0014	0.006	3.6
MI6FA100V0.2	K076461	1000	0.2	Cos $\mu \geq 0.2^*$	0.0022	0.01	3.5
MI6FA100V0.25	L076462	1000	0.25	Cos $\mu \geq 0.2^*$	0.004	0.02	3.2
MI6FA100V0.315	M076463	1000	0.315	Cos $\mu \geq 0.2^*$	0.008	0.04	2.9
MI6FA100V0.4	N076464	1000	0.4	Cos $\mu \geq 0.2^*$	0.017	0.08	2.5
MI6FA100V0.5	P076465	1000	0.5	Cos $\mu \geq 0.2^*$	0.036	0.16	2.2
MI6FA100V0.63	Q076466	1000	0.63	Cos $\mu \geq 0.2^*$	0.59	0.35	1.3
MI6FA100V0.8	R076467	1000	0.8	Cos $\mu \geq 0.2^*$	0.11	0.6	1.2
MI6FA100V1	P075660	1000	1	Cos $\mu \geq 0.2^*$	0.23	1.25	1
MI6FA100V1.25	M220029	1000	1.25	Cos $\mu \geq 0.2^*$	-	-	-

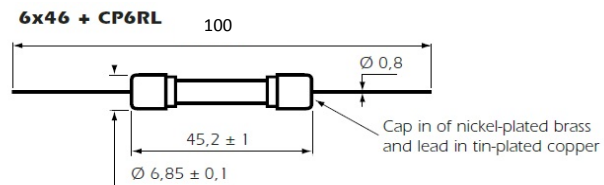
*30kA 1000VAC Cos $\mu \geq 0.2$

Ratings lower than 0.1A : please enquire

6x46 + CP6RL



Product weight:
2.5g max.



Catalog Number	Reference Number	Rated Voltage (V)	Nominal Current (A)	Breaking capacity @ Nominal current (A)	Pre-arcing I ² t @ Rated voltage (A ² s)	Clearing I ² t @ Rated Voltage (A ² s)	Max. voltage drop (V)
MI6FAP100V0.1	W209733	1000	0.1	Cos $\mu \geq 0.2^*$	0.0002	0.001	6.5
MI6FAP100V0.125	X209734	1000	0.125	Cos $\mu \geq 0.2^*$	0.0006	0.003	4.4
MI6FAP100V0.16	Y209735	1000	0.16	Cos $\mu \geq 0.2^*$	0.0014	0.006	3.6
MI6FAP100V0.2	Z209736	1000	0.2	Cos $\mu \geq 0.2^*$	0.0022	0.01	3.5
MI6FAP100V0.25	A209737	1000	0.25	Cos $\mu \geq 0.2^*$	0.004	0.02	3.2
MI6FAP100V0.315	B209738	1000	0.315	Cos $\mu \geq 0.2^*$	0.008	0.04	2.9
MI6FAP100V0.4	C209739	1000	0.4	Cos $\mu \geq 0.2^*$	0.017	0.08	2.5
MI6FAP100V0.5	D209740	1000	0.5	Cos $\mu \geq 0.2^*$	0.036	0.16	2.2
MI6FAP100V0.63	E209741	1000	0.63	Cos $\mu \geq 0.2^*$	0.59	0.35	1.3
MI6FAP100V0.8	F209742	1000	0.8	Cos $\mu \geq 0.2^*$	0.11	0.6	1.2
MI6FAP100V1	V209617	1000	1	*Cos $\mu \geq 0.2^*$	0.23	1.25	1
MI6FAP100V1.25	E234857	1000	1.25	Cos $\mu \geq 0.2^*$	-	-	-

*30kA 1000VAC Cos $\mu \geq 0.2$

Ratings lower than 0.1A : please enquire



Shah & Shah Enterprise

www.shahent.co.in

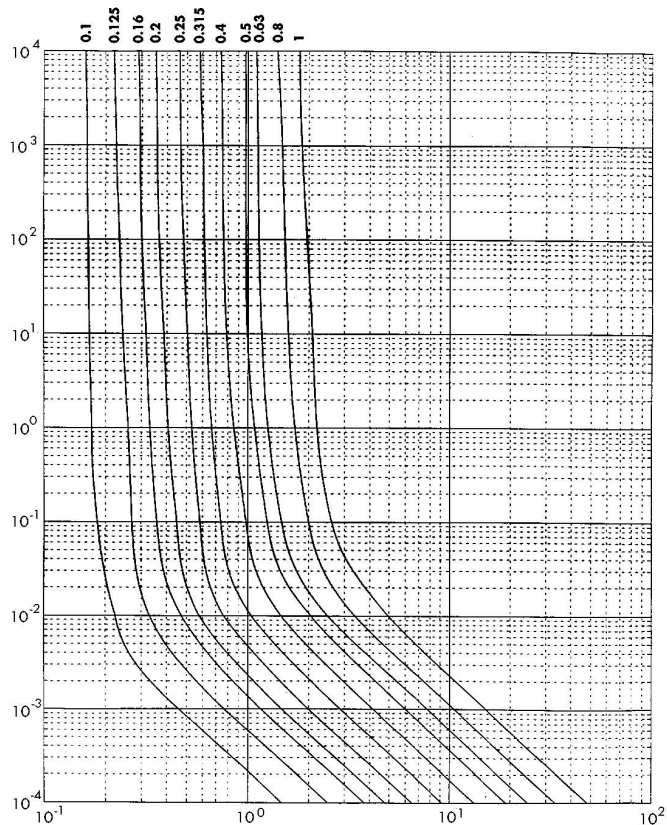
Miniature Fuses

Very HRC Fuses 6x46
FA Very Fast Acting
1000V from 0.1 to 1.25A



Time Current Curve

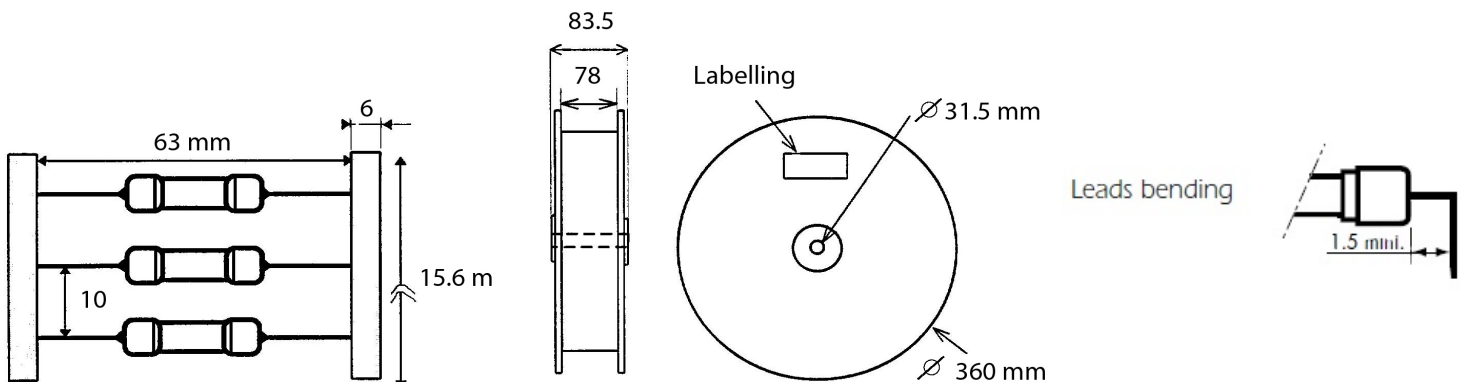
Tolerance for the mean pre-arcing current $\pm 12\%$. These curves indicate, for each rated current, the pre-arcing time vs. the R.M.S. pre-arcing current.



Soldering heat resistance :
according to IEC 68-2-20 / 260°C
for 10 seconds

Packaging: 6x46 plastic box 10 pieces (55x42x19). For a 500 pieces box packaging consult us

Packaging: 6x46 + CP6RL in tape per 1500 pieces



Shah & Shah Enterprise

www.shahent.co.in